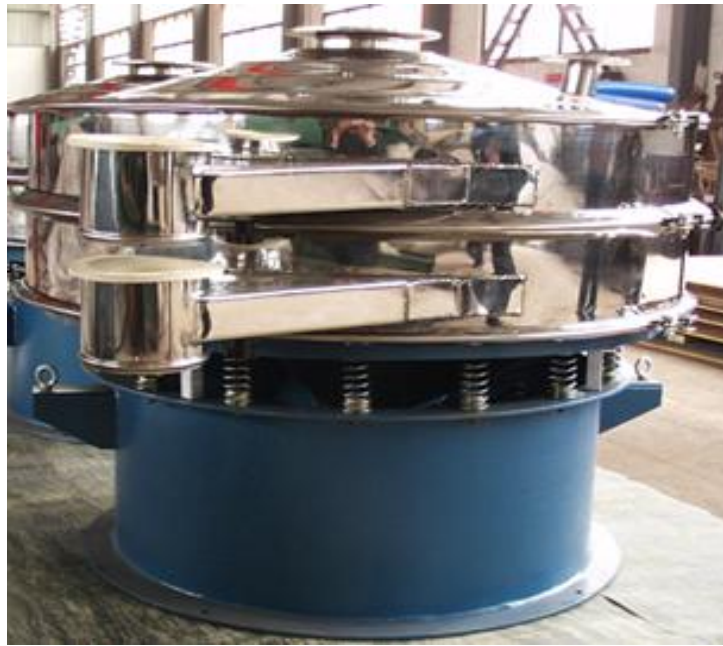


Spare Parts of the Rotary Round Vibrating Screen

We all know rotary round vibrating screen is a kind of special and high precision screening and separating machine. It is generally used for kinds of dry, wet and geometrical shapes material for sieving and separating. The granulation, powders and liquid can be separated into different size or dewatering continuously through the different sieve mesh to achieve the material needed.



The rotary round vibrating screen machine spare part include net rack, jumping ball, clamps and so on. As a professional vibrating screen manufacturer, we provide the clients with a complete set of vibrating screen parts. When the screen machine reach the service life, some parts will be damaged and have to exchange . Especially for the end users, preparing for one or more groups of spare parts is most important for prolong the vibrating screen working life.



Separation frame group0



Silicone Ball



top cover



U Shape Sealing Strip



V Shape Sealing Strip



Vertical Motor



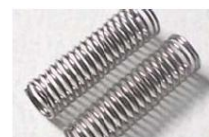
Bottom Frame



Clamps Bolts



Clamps



Damper Spring



Jump Ball0



Middle Frame



Net Rack Group



Net Rack



rubber ring

Top Cover



Item	Top Cover
Model	Φ600mm、Φ800mm、Φ1000mm、Φ1200mm、Φ1500mm、Φ1800mm、Φ2000mm
Material	SUS304, SUS316L
Function	Prevent the dust in the workshop from falling into the material and polluting the material, the hole on the top is the product inlet.

Middle Frame



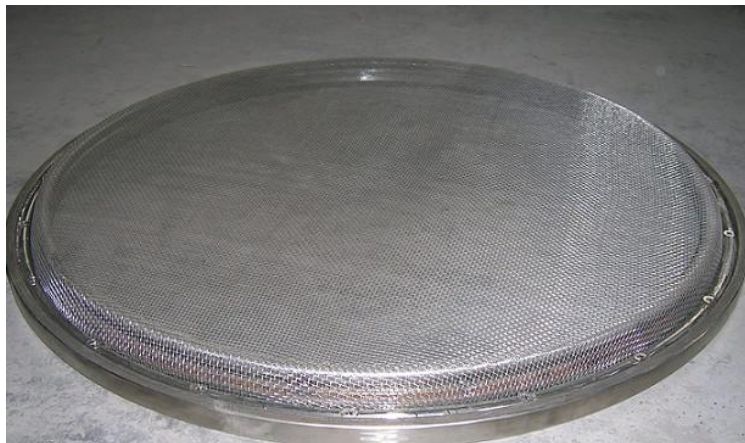
Item	Middle Frame
Model	Φ600mm、Φ800mm、Φ1000mm、Φ1200mm、Φ1500mm、Φ1800mm、Φ2000mm
Material	SUS304, SUS316L

Bottom Frame



Item	Bottom Frame
Model	Φ600mm、Φ800mm、Φ1000mm、Φ1200mm、Φ1500mm、Φ1800mm、Φ2000mm
Material	SUS304

Net Rack



Item	Net Rack
Diameter	Φ600mm、Φ800mm、Φ1000mm、Φ1200mm、Φ1500mm、Φ1800mm、Φ2000mm
Aperture	Can be customized
Material	SUS304
Structure	Screen and rack is one group and can be formed into 1-5layers which is easy to exchange

Clamps



Item	Clamps
Diameter	Φ600mm、Φ800mm、Φ1000mm、Φ1200mm、Φ1500mm、Φ1800mm、Φ2000mm
Material	SUS304
Structure	Screen and rack is one group and can be formed into 1-5layers which is easy to exchange

Cleaning Ball



Rubber Ball



Silicone Ball

Item	Cleaning Ball
Diameter	Φ20mm、Φ25mm、Φ30mm
Price	It depends on the different diameter
Material	Rubber, Silicone
Function	Prevent the screen mesh from blocking

Sealing Strip



U Shape Sealing Strip



V Shape Sealing Strip

Item	Sealing Strip
Diameter	Φ600mm、Φ800mm、Φ1000mm、Φ1200mm、Φ1500mm、Φ1800mm、Φ2000mm
Type	U shape and V Shape
Material	Rubber, Silicone
Function	Seal the net rack, reduce the friction of the every parts, prevent the different material grade from mixing to guarantee high screening precision

Rubber Ring



Item	Rubber Ring
Diameter	Φ150mm
Material	Rubber, Silicone, Nylon
Function	Clean the screen mesh, equip with the cleaning ball to prevent the screen mesh blocking



Damper Spring

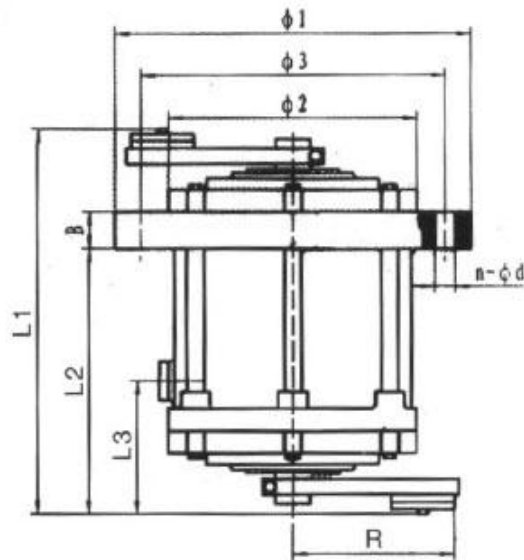


Screw Bolts

Item	Damper Spring Screw Bolts
Diameter	Φ5.5*36*140(Spring)
Material	manganese steel
Function	Damping(Spring), Sealing and Fixing(Screw Bolts)

YZUL Vertical Motor

YZUL Vertical motor has eccentric block at the top and bottom which makes the rotating of motor convert horizontal, vertical and inclined three- dimensional motion. Then the motor pass the motion into screen mesh and make the material diffuse outward gradually.



Model	Exciting Force (KN)	Power (KW)	Rotation(rpm)	Installation Dimension(mm)			Overall Dimension(mm)				
				φ3	N	φ	φ1	φ2	L1	L2	L3
3-4	3	0.18	1500	200	4	12	230	155	209	144	74
5-4	5	0.25		210	4	12	245	165	326	212	85
8-4	8	0.55		235	6	14	270	190	340	233	144
10-4	10	0.75		265	8	18	310	220	436	290	144
15-4	15	1.1		265	8	18	310	220	452	299	144
30-4	30	1.5		315	8	22	370	264	488	328	153
50-4	50	2.2		390	8	26	450	330	550	374	150